

1 × 128 Optical switch module



1×128 Optical switch module

Features

- Up to 128 Channels
- Low Loss, High Reliability
- Parallel interface (TTL)
- Modularizing Design

Applications

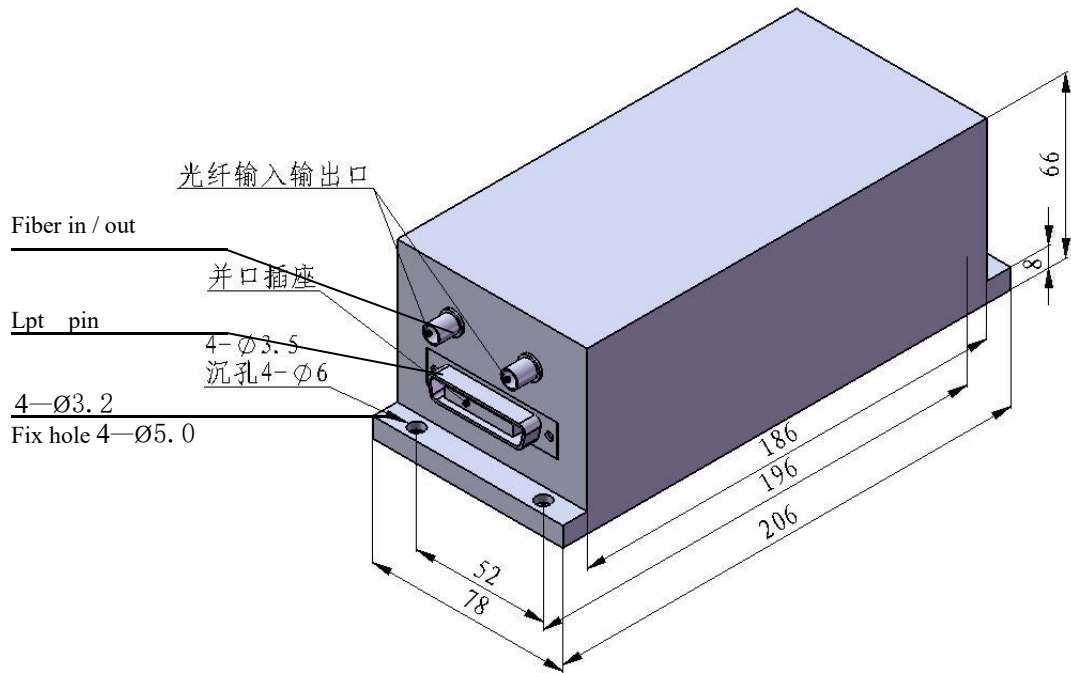
- Multi-monitoring in Optical
- Auto-Switching of LAN multi-Laser source/detector and multi-Sensing dynamic monitoring system
- Testing of fiber, optical Component Network or field projects in optical system

Specifications

Parameters	SW-1 × 128			
Wavelength Range	532~980 (MM)	850~1060 (SM)	1260~1620 (MM)	1260~1620 (SM)
Testing Wavelength nm	650/780/850/980	850/980/1060	1310/1490/1550/1625	1310/1490/1550/1625
Insertion Loss dB	Typ:0.6 Max:1.0	Typ:0.6 Max:1.0	Typ:0.6 Max:0.9	Typ:0.5 Max:0.8
Return Loss dB	SM ≥ 50、MM ≥ 30			
Cross-Talk dB	SM ≥ 55、MM ≥ 35			
PDL dB	≤ 0.05			
WDL dB	≤ 0.25			
TDL dB	≤ 0.25			
Repeatability dB	≤ ± 0.02			
Durability(Life) times	10 ⁹			
Transmission Power	≤ 500mw			
Switching Time ms	≤ 8 (typical 3)			
Operating Temperature °C	-20~+70			
Storage Temperature °C	-40~+85			
Operating Voltage V	+5 or 12 other			
Module Dimension mm	1<N<6 (135×40×32)	6≤N≤12 (135×64×32)	8≤N≤16 (184×78×38)	16≤N≤48 (184×78×66)
	48≤N≤96 (206×78×66)			

Dimension (mm)

1X128 Optical Switch Module size (mm) : (L)206×(W) 78×(H) 66 or : 184*156*66mm



Remark :

48<N<=128,new size: 184*156*66mm , the insertion <1.5dB

PIN detail

Pin Number	Signal Direction (in/out/power)	Name	Function
1	IN	A0	0~2 input ports
2	IN	A1	
3	IN	D0	1~6 output ports
4	IN	D1	
5	IN	D2	
6	IN	D3	
7		NC	No connect
8	Power	GROUND	Ground
9	Power	+5V	Power supply

Channel select info

A1	A0	Port
0	0	OPEN (disconnection)
0	1	1
1	0	2

D3	D2	D1	D0	Port
0	0	0	0	1
0	0	0	1	2
0	0	1	0	3
0	0	1	1	4
0	1	0	0	5
0	1	0	1	6
0	1	1	0	-
0	1	1	1	-
1	0	0	0	-
1	0	0	1	--
1	0	1	0	--
1	0	1	1	--
1	1	0	0	--
1	1	0	1	--
1	1	1	0	--
1	1	1	1	--

Ordering Information

